

Detail 18

TWF Applied Exterior Finish Heads for Flanged Windows or Doors

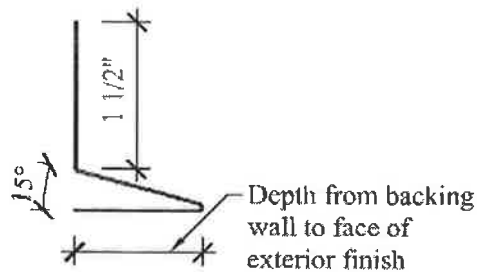
NOTES: If there is a fastened air barrier of any kind covering the backing wall, cut and fold it in an upward position to expose the area that will receive the flashing.

After the TWF is installed, drape the folded air barrier section over the TWF and trim the bottom edge even with the lower edge of the Termination Strip / Tape. Apply air barrier tape along the bottom edge of the air barrier and onto the face of the TWF with the skip-tape method.

If there is an adhered or spray applied air barrier on the backing wall, apply the TWF parts over that material.

The term applied exterior finish in these instructions includes Cement Stucco, Synthetic Stone and Hard Sidings.

Prepare the surfaces that will receive flashing as directed in Section One in this Handbook.



Section of Head Edge

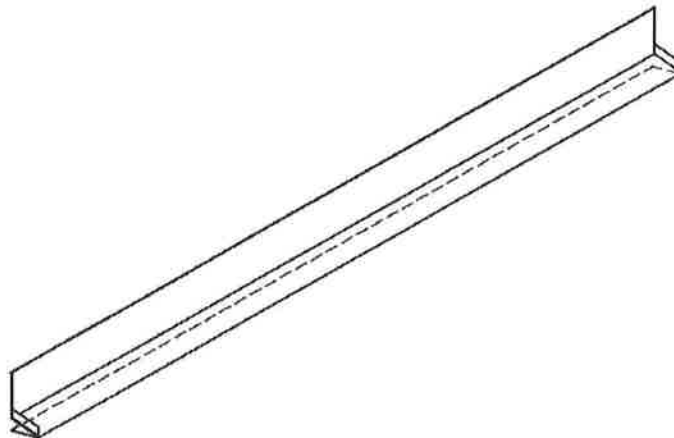
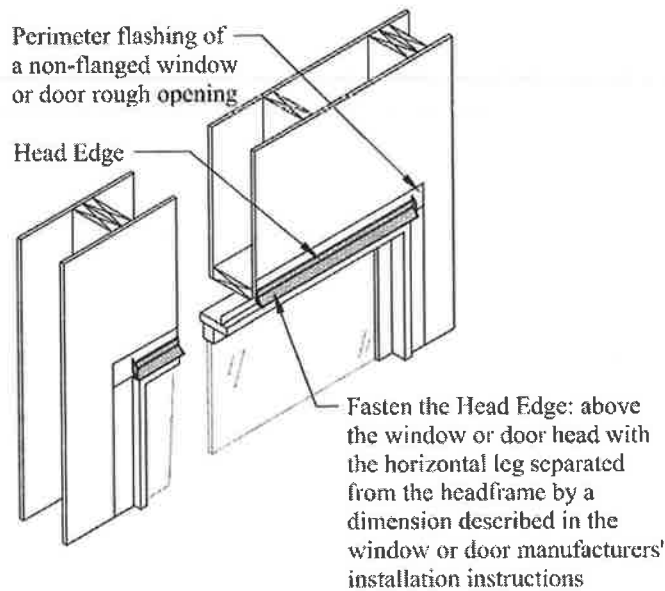


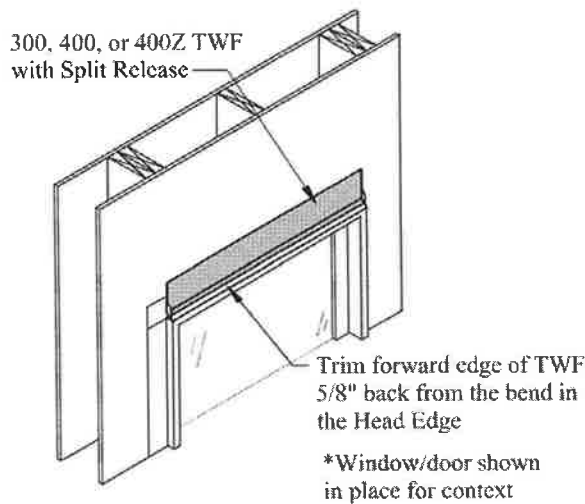
Fig.1

Step 1 Fabricate a Head Edge from material defined in the construction documents and as illustrated in Fig. 1. with:

- A length equal to the width of the rough opening;
- A wall leg height dimension of 1-1/2-inches then bent at that point 105-degrees to form
- A diagonal leg that will extend from the wall leg a calculated distance in plane with where the face of where the exterior finish will be and bent at that point 165-degrees to form
- A horizontal leg equal in depth to the calculated distance between the wall and where the face of the exterior finish will be and;
- A diagonal leg having 3/4-inch high end dams.



- Step 2 Position the Head Edge above the window or door head with the horizontal leg separated from the head frame by a dimension described in the window or door manufacturers' installation instructions. Fasten the wall leg to the backing wall with flat head fasteners.



- Step 3 Install 300, 400, or 400Z TWF with Split Release as follows:

Chalk a line on the backing wall above the Head Edge and use it as a guide for placement of the top edge of the flashing. (The BIA Technical Notes commonly depict a minimum 8-inch vertical leg of flashing, select coverage accordingly.)

Select a width of flashing that will cover from the chalked line to the forward bend in the Head Edge.

Cut lengths of flashing and allow 2-inches for end laps and coverage of the sides of the end dams.

Peel away about 12 inches of the 3-inch strip of release paper from the starting end of the flashing. (A factory cut has been made in the release paper 3-inches in from one edge of the flashing. This cut will allow removal of just that part of the release paper, making it easier to position and install the piece.)

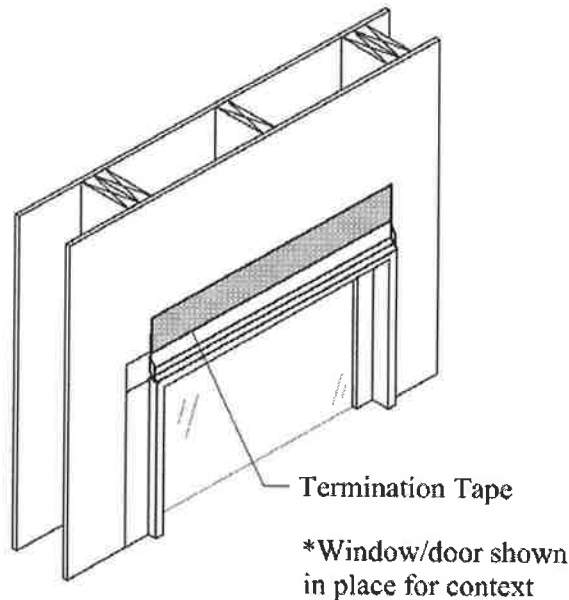
Adhere the top 3-inch section along the chalk line as the release paper is removed.

After the top 3-inch section of the flashing is adhered, check that the lower part of the flashing will lie flat against the lower substrates. Re-align as necessary.

Continue adhering the remaining part of the flashing as the release paper is peeled away in a downward direction.

Trim the forward edge of the flashing to 5/8-inch from the forward bend in the Head Edge.

Apply pressure over the face of the installed flashing with a rubber roller.

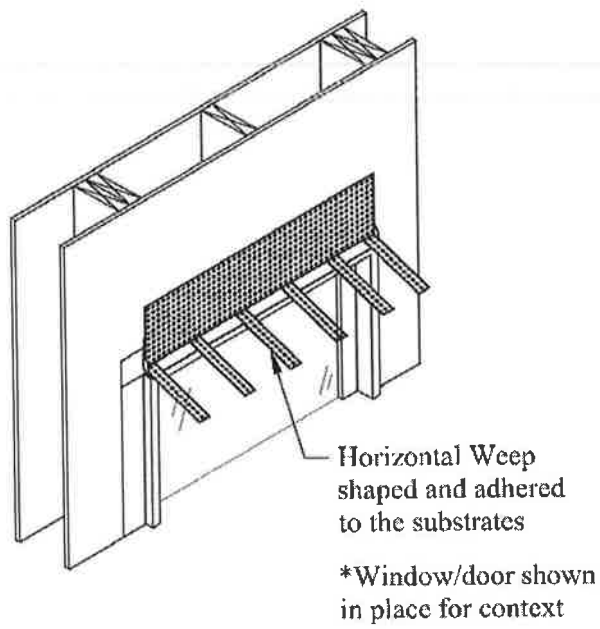


Step 4 Terminate the top edge of the flashing as follows:

In cavity wall applications, fasten a Termination Strip along the top edge of the flashing, except in conditions where the flashing will later be covered by either, a liquid or sheet, air or water barrier.

In non-cavity wall applications, center and adhere Termination Tape along the top edge of the flashing, except in conditions where the flashing will later be covered by either, a liquid or sheet, air or water barrier. Apply pressure over the face of the tape with a rubber roller.

Step 5 Apply a bead of Detailing Sealant along the top edge of any Termination Strip, and along the edges of all end laps and end dams that will not later be covered by either a liquid or sheet, air or water barrier. Tool the beads to a uniform and even coverage.



Step 6 Install Horizontal Weeps across the flashed area as follows:

Locate a weep at and along the side of each End Dam. If cutting and repositioning a weep is necessary, cut a weep extension flush with the lower body edge. Nest the separated weep into cups along the lower body and in the desired location. Shape and crease the lower body of a Horizontal Weep so that, its' forward edge will be positioned along and behind the back of where the applied exterior finish will be.

Adhere the shaped Horizontal Weep flat against the underlying surfaces as the release paper is removed.

In Hard Siding applications substitute Polyguards' Low Flow pliable drainage mat for the Horizontal Weep. Shape it across the face of the flashing and tack it in place. Install the bottom edge of the siding with a 1/8-inch separation from the Head Edge.

Step 7 Install the exterior finish.

Step 8 After the exterior finish has been applied, trim the weep extensions flush with the face of the exterior finish.

Step 9 Install a backer rod and sealant in the space between the frame and rough opening on the interior and exterior side of the frame.