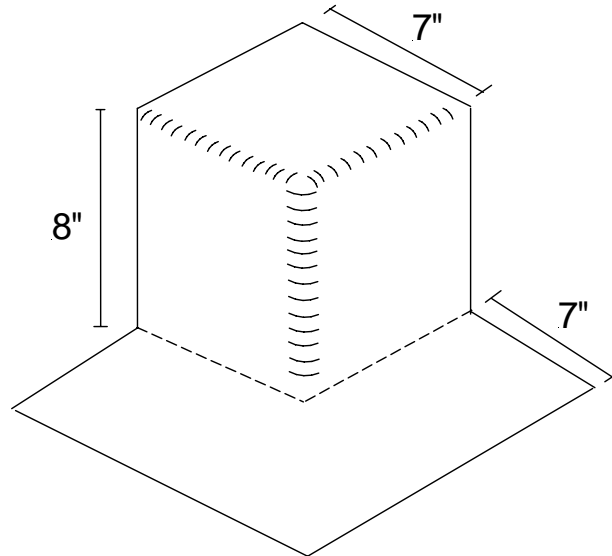


PREFORMED OUTSIDE CORNER FLASHING



DESCRIPTION:

The **POLYGUARD PREFORMED FLASHING CORNER** is a 40 mil combination of rubberized asphalt bonded to polyethylene. The adhesive surface is covered with a release liner.

POLYGUARD LIQUID ADHESIVE is used to prepare surfaces for **POLYGUARD PREFORMED CORNERS**.

USES:

The **PREFORMED FLASHING CORNER** provides maximum protection against moisture infiltration at outer corners. It bridges the flashing where it terminates, forming a continuous water deterrent seal. **PREFORMED CORNERS** can be used wherever a continuous water seal around outer corners is desired.

ADVANTAGES:

At present, flashing around corners requires a series of cuts, folds, flaps and patching with mastic. This is a time consuming, difficult procedure which often results in a less than desirable corner condition.

POLYGUARD PREFORMED CORNERS offer an easy and practical method of field installation, eliminating as much as 10 minutes (per corner) of expensive field labor time. But most important, the design provides maximum protection against water penetration at outside corner conditions.

PRODUCTS/HANDLING:

POLYGUARD THRU WALL FLASHING SYSTEMS components should be unloaded and stored in such a manner that prevents injury to the materials.

EXECUTION:

SURFACE PREPARATION: Clean all surfaces of dust, dirt and foreign matter. Eliminate sharp protrusions, which may puncture membrane. Surfaces should be dry prior to application of **POLYGUARD 650 LT LIQUID ADHESIVE** and **POLYGUARD PREFORMED CORNERS**.

P.O. Box 755
Ennis, TX 75120
PH: (214) 515-5000
FX: (972) 875-9425

This information is based on our best knowledge, but
POLYGUARD cannot guarantee the results to be obtained.



Polyguard is ISO 9001 certified since 1996.

APPLICATION OF CORNER: Remove silicone release liner and apply to properly prepared surface. Then apply **THRU WALL FLASHING MEMBRANE** over lapping 2" onto the **PREFORMED CORNER** or **END DAM**. All vertical terminations must be sealed immediately with a tooled bead of **POLYGUARD 650 MASTIC**.

LIMITATIONS:

POLYGUARD THRU WALL FLASHING COMPONENTS are recommended for concealed applications behind brick, marble, granite, siding or other exterior wall covering system. **POLYGUARD MEMBRANES** should be covered within 30 days to prevent prolonged exposure to sunlight.

PRECAUTIONS:

POLYGUARD LIQUID ADHESIVES are industrial coatings and would be harmful or fatal if swallowed. Marked as a red label flash point product, prohibit flames, sparks, welding and smoking during application. Refer to product label and Material Safety Data Sheets for handling, use and storage.

Solvents could be irritating to the eyes. In case of contact with eyes, flush with water and contact physician.

Avoid prolonged contact with skin and breathing of vapor or spray mist from **LIQUID ADHESIVE**. If in confined areas, use adequate forced ventilation, fresh air masks, explosion proof equipment, and clean clothing. Close container after each use. Keep out of reach of children.

This material is offered for sale by **POLYGUARD PRODUCTS, INC**, only for the expressed purposes as described in this literature. Any use of the products described in this literature for purposes other than taught therein by **POLYGUARD PRODUCTS, INC**. shall be the responsibility of the purchaser and **POLYGUARD PRODUCT, INC**. does not warrant nor will be responsible for any misuse of these products. **POLYGUARD PRODUCTS, INC**. will replace F.O.B. Ennis, Texas, material not meeting our manufacturer's specifications one year from date of sale. **POLYGUARD** products as described herein are for industrial use only. The application procedures should be performed by workmen who are skilled in the application of materials described herein in accordance with manufacturer specifications.

MATERIAL SAFETY DATA:

All Material Safety Data Sheets and precautionary labels should be read and understood by all user supervisory personnel and employees before using. Consult **POLYGUARD PRODUCTS, INC**. Material Safety Data Sheets and OSHA regulations for additional safety and health information for the products described herein. Purchaser is responsible for complying with all applicable federal, state or local laws and regulations covering use of the product including waste disposal.

This is not a Material Safety Data Sheet and is not to be used as such. **POLYGUARD** has prepared separate Material Safety Data Sheets on each product.

TECHNICAL SERVICE AND AVAILABILITY:

Technical assistance, information and **POLYGUARD** products are available through a nationwide network of distributors and architectural representatives, or contact **POLYGUARD PRODUCTS, INC**.

NOTE ON ISO 9000

POLYGUARD PREFORMED OUTSIDE CORNERS are not covered by **POLYGUARD'S** ISO 9001 quality system.