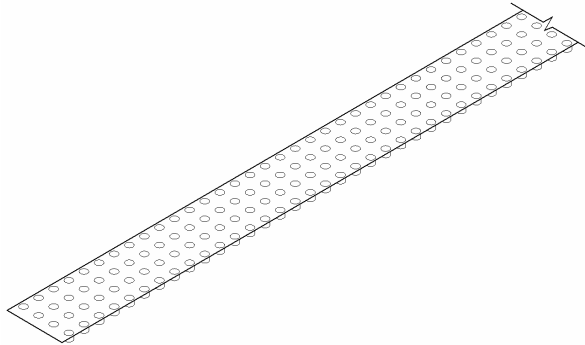


Installation Instructions

TYPE II RAIN SCREEN TRANSITION STRIP

The **Polyguard Type II Rain Screen Transition Strip** is a dimple board designed for installation between **Polyguard Type II Rain Screen** rows when the rain screen cavity compartment alignment cannot be maintained from floor to floor.



Isometric View

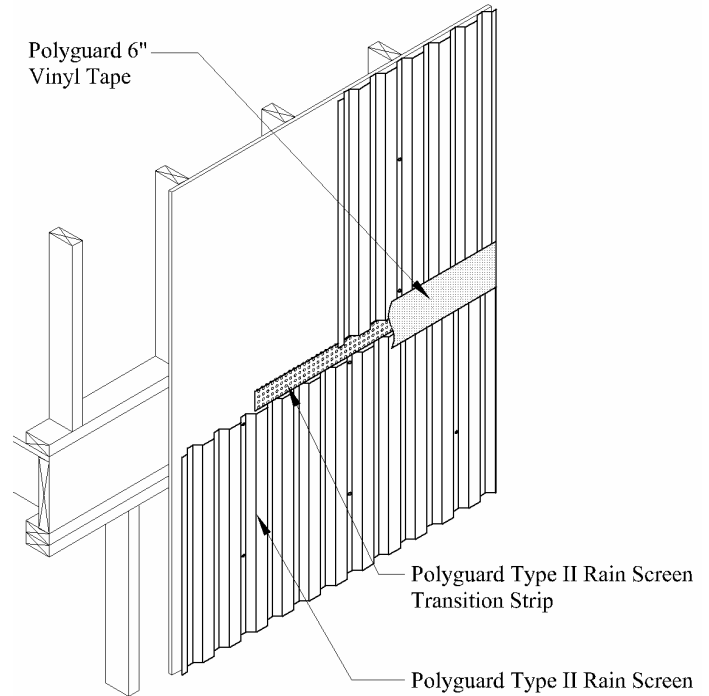
INSTALLATION INSTRUCTIONS:

Storage: Protect the material from heat, crushing, moisture, mud, and construction dirt. Keep the product in the package until it will be used.

Safety: Material Safety Data Sheets are available upon request by phone, e-mail, or on the web.

Place the **Transition Strip** along the top edge of a **Polyguard Type II Rain Screen** that ends along a rim joist.

Attach the **Transition Strip** to the rim joist with cap head fasteners suitable for the substrate.



Install the next row of **Polyguard Type II Rain Screen** along the top edge of the **Transition Strip**.

Center **Polyguard 6-inch Vinyl Tape** over and along the **Transition Strip** and adhere it to the strip and upper and lower rows of **Polyguard Type II Rain Screen**.

© Polyguard Products 2010

X:/Lit/Arch/Type II Rain Screen Transition Strip Installation Instructions.doc R 6-28-10

P.O. Box 755
Ennis, TX 75120
PH: (214) 515-5000
FX: (972) 875-9425

This information is based on our best knowledge, but
POLYGUARD cannot guarantee the results to be obtained.