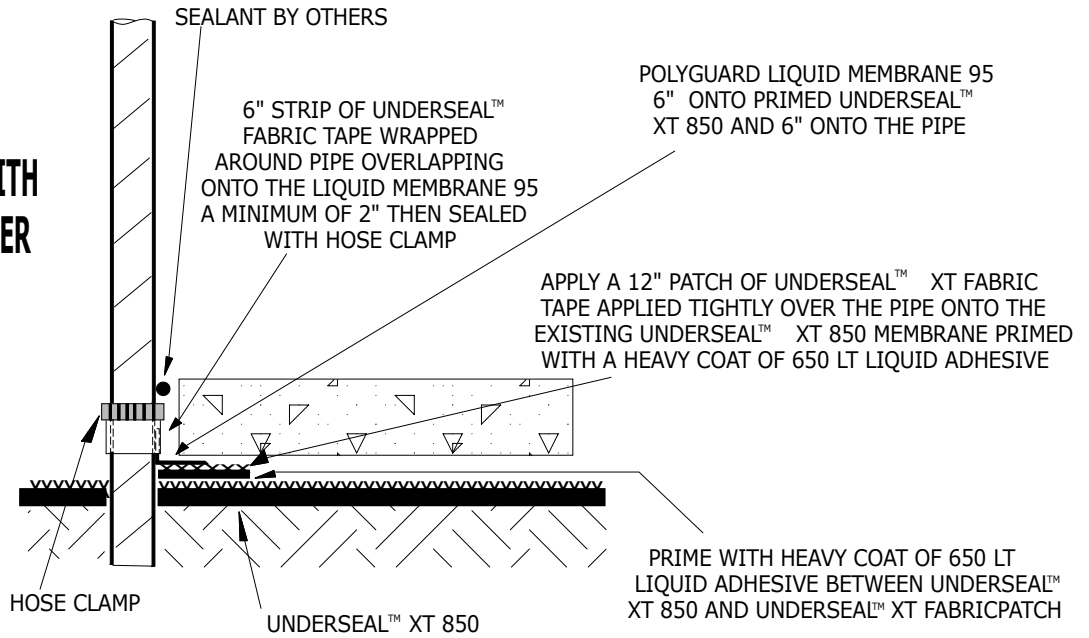
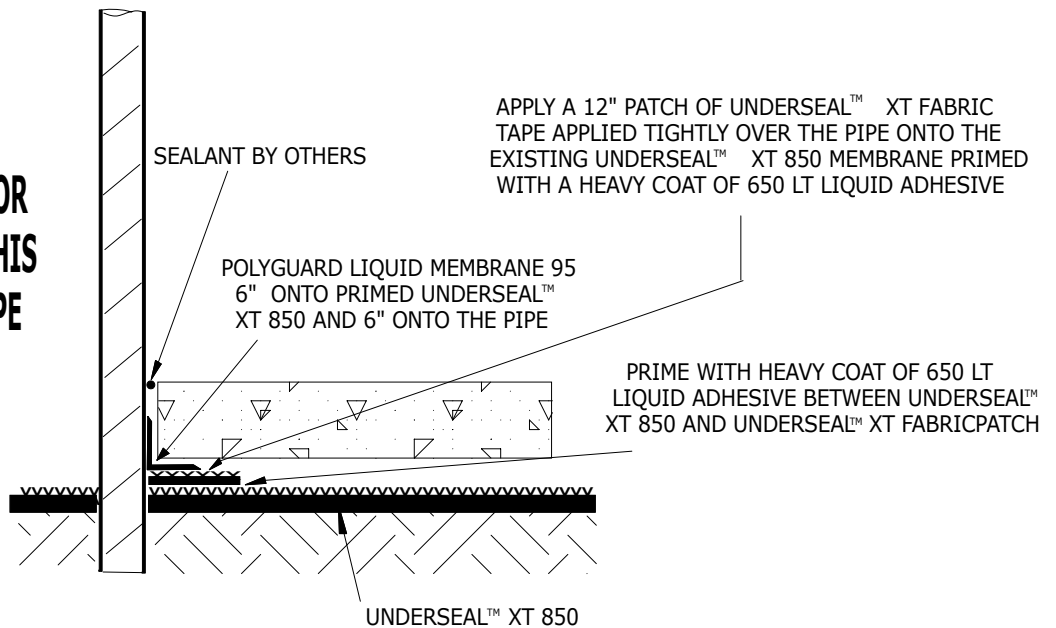


**FOR TERMITE PROTECTION WITH  
MOISTURE AND VAPOR BARRIER  
PROTECTION USE THIS  
UNDERSEAL™ XT 850 PIPE  
PENETRATION DETAIL**



**FOR MOISTURE AND VAPOR  
PROTECTION ONLY USE THIS  
UNDERSEAL™ XT 850 PIPE  
PENETRATION DETAIL**



**SECTION @ UNDERSEAL™ XT 850 - PIPE PENETRATION**

© POLYGUARD PRODUCTS, INC 2003 - PIPE PENETRATIONS



Polyguard Products, Inc.  
P.O. Box 755  
Ennis, TX 75119  
Phone: 972-875-8421  
Fax: 972-875-9425  
Web Site - [www.polyguardproducts.com](http://www.polyguardproducts.com)

The information provided is based on data and knowledge considered to be true and accurate and is offered for the users' consideration, investigation and verification, but we do not warrant the results to be obtained. Please read all data sheets, statements, recommendations or suggestions in conjunction with our conditions of sale, which apply to all goods supplied by us.