

FIG. 1

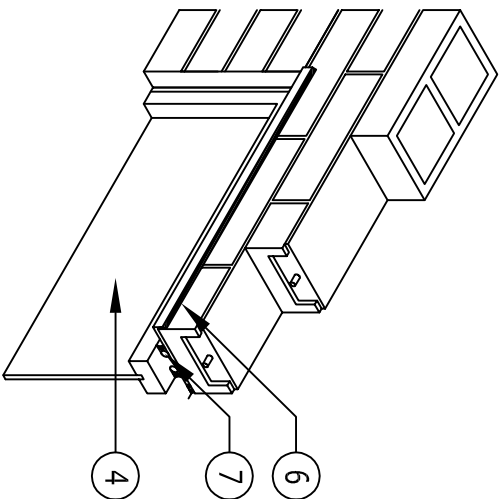


FIG. 2

TWF INSTALLATION SEQUENCE FOR SINGLE WYTHE HEADS AT NON-FLANGED WINDOWS, DOORS, AND FIXTURES.

1. FABRICATE A METAL PAN WITH AN EXTERIOR DRIP EDGE AND AN INTERIOR PAN LEG.
2. INSTALL A POLYGUARD PAN WEEP ONTO THE TOPSIDE OF THE METAL PAN.
3. ANCHOR THE METAL PAN WITH PAN WEEP TO THE UNDERSIDE OF THE OPENING HEAD.
4. INSTALL THE WINDOW, DOOR, OR FIXTURE.
5. INSTALL A BACKER ROD AND SEALANT, ON THE EXTERIOR SIDE OF THE WALL, BETWEEN THE HEAD AND PAN. TRIM THE WEEP EXTENSIONS FLUSH WITH THE FACE OF THE SEALANT AFTER THE SEALANT HAS BEEN TOOLED.
6. INSTALL A BACKER ROD AND SEALANT BETWEEN THE INTERIOR PAN LEG AND THE WALL.
7. INSTALL A BACKER ROD AND SEALANT ALONG THE INTERIOR AND EXTERIOR FRAME TO METAL PAN INTERFACE.

NOTE: FREE THE SURFACES THAT WILL RECEIVE THE FLASHING FROM IRREGULARITIES THAT WOULD INTERFERE WITH A FLAT INTERFACE WITH THE FLASHING, OR POSE A FLASHING PUNCTURE HAZARD. APPLY A COATING OF 650LT, CALIFORNIA SEALANT, GREEN CALIFORNIA SEALANT OR SHUR-TAC WATER-BASED LIQUID ADHESIVE TO CLEAN AND DRY SURFACES THAT WILL BE RECEIVING THE FLASHINGS. BASE SELECTION OF LIQUID ADHESIVE ON SUBSTRATE COMPATIBILITY AND VOC REQUIREMENTS. REFER TO POLYGUARDS PUBLICATION "PRINCIPLES OF WATERPROOFING ABOVE GRADE EXTERIOR WALL ASSEMBLIES" FOR STEP BY STEP INSTALLATION INSTRUCTIONS.

TWF9

TWF SINGLE WYTHE HEADS AT NON-FLANGED WINDOWS, DOORS, AND FIXTURES

© POLYGUARD PRODUCTS, INC. 2010

MATERIALS SEPARATED FOR CLARITY NTS

Polyguard Products, Inc.
 P.O. Box 755 - Emis, TX 75119
 Phone: 214-515-5000 Fax: 972-975-9425
 Web Site - www.polyguardproducts.com

Polyguard

This literature is provided based on data and knowledge considered to be true and accurate as of the date of its publication. Polyguard Products, Inc. and its subsidiaries make no warranty, express or implied, for the use of the information contained herein. The user assumes all liability for any damage, loss, or injury resulting from the use of the information contained herein. The user agrees to hold Polyguard Products, Inc. and its subsidiaries harmless from any and all claims, damages, or expenses in connection with our customer of sale, who apply to all goods supplied by us.