

INSTALLATION SEQUENCE FOR FIELD FORMING TWF OUTSIDE CORNERS:

1. INSTALL A 12-INCH LONG PIECE OF POLYGUARD 400 TWF WITH THE CORNER END EXTENDED 2-INCHES BEYOND THE END OF THE LEDGE.
2. TRIM THE EXTENDED END OF THE VERTICAL LEG OF THE FLASHING 2-INCHES BEYOND THE WALL CORNER FROM THE TOP EDGE OF THE FLASHING TO THE TOP OF THE TWF CANT AND THEN, CONTINUE TRIMMING ALONG A PATH THAT WILL END 2-INCHES TO THE TRIM SIDE OF THE CORNER MIDPOINT LINE.
3. FOLD THE FACE OF THE TRIMMED EXTENDED END ONTO THE FACE OF THE INSTALLED LEG. STOP FOLDING WHEN THE VERTICAL FOLD EDGE ALIGNS WITH THE WALL CORNER AND WHEN THE HORIZONTAL FOLD EDGE ALIGNS ALONG THE LEDGE CORNER MIDPOINT LINE. HOLD THE FOLDED FLASHING IN POSITION BY FOLDING THE TOP CORNER IN A MANNER THAT WILL TEMPORARILY HOLD IT TO THE INSTALLED LEG.
4. INSTALL A 12-INCH LONG PIECE OF FLASHING ON THE REMAINING LEG OF THE CORNER.
5. BOND THE EXTENDED PART OF THE SECOND LEG TO THE TRIMMED AND FOLDED PART OF THE FIRST LEG.
6. STARTING 1-INCH ABOVE AND PARALLEL WITH THE LEDGE AND 1-INCH FROM THE CORNER OUTWARDLY CUT THE BONDED PIECES TO THE END.
7. WRAP AND ADHERE THE TOP PART OF THE EXTENDED LEG, ONTO THE FACE OF THE FIRST LEG AND THEN PRESS AND ADHERE THE LOWER PART OF THE EXTENDED LEG TO THE UNDERSURFACES.
8. TRIM THE FORWARD EDGES OF THE FLASHING 5/8-INCH FROM THE BEND IN THE DRIP.
9. APPLY PRESSURE OVER THE FACE OF THE FLASHING WITH A HARD SURFACED RUBBER ROLLER.
10. DETAIL THE TOP TERMINATION AND END LAPS WHEN DOING SO FOR THE FIELD MEMBRANE.

NOTE: FREE THE SURFACES THAT WILL RECEIVE THE FLASHING FROM IRREGULARITIES THAT WOULD INTERFERE WITH A FLAT INTERFACE WITH THE FLASHING, OR POSE A FLASHING PUNCTURE HAZARD. APPLY A COATING OF POLYGUARD 650LT, CALIFORNIA SEALANT, GREEN CALIFORNIA SEALANT OR SHUR-TAC WATER-BASED LIQUID ADHESIVE TO CLEAN AND DRY SURFACES THAT WILL BE RECEIVING THE FLASHINGS. BASE SELECTION OF LIQUID ADHESIVE ON SUBSTRATE COMPATIBILITY AND VOC REQUIREMENTS. REFER TO POLYGUARD'S PUBLICATION "PRINCIPLES OF WATERPROOFING ABOVE GRADE EXTERIOR WALL ASSEMBLIES" FOR STEP BY STEP INSTALLATION INSTRUCTIONS.

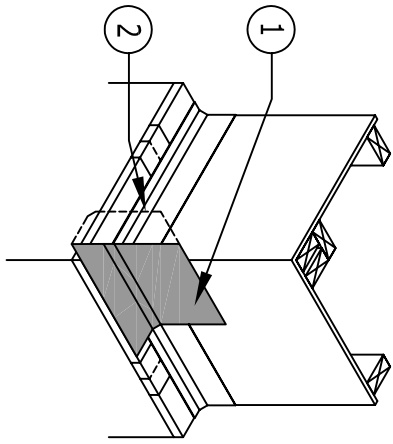


FIG. 1

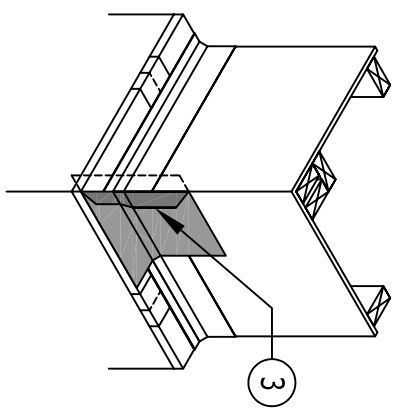


FIG. 2

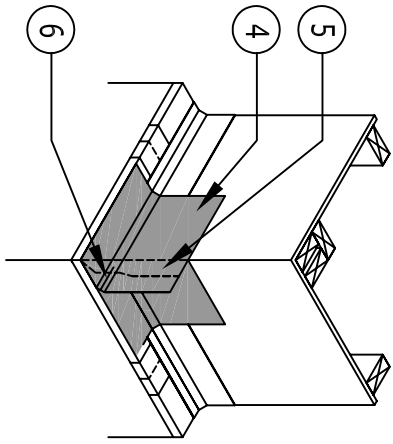


FIG. 3

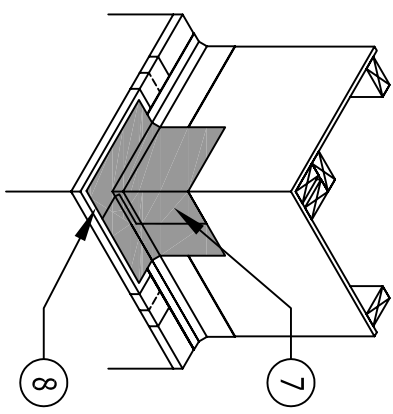


FIG. 4

WF28.2

FIELD FORMING TWF OUTSIDE CORNERS
N.T.S.

© POLYGUARD PRODUCTS, INC. 2011
MATERIALS SEPARATED FOR CLARITY

Polyguard Products, Inc.
P.O. Box 755 - Emis, TX 75119
Phone: 214-515-5000 Fax: 972-975-9425
Web Site - www.polyguardproducts.com

Polyguard

This information is provided for informational purposes only and does not constitute an offer of insurance. Please refer to the actual policy for complete terms, conditions, coverages, exclusions, and limitations. Insurance coverage is provided by members of the American International Group, Inc. (AIG). AIG is a registered service mark of American International Group, Inc. All other marks are the property of their respective owners. © 2011 American International Group, Inc. All rights reserved.