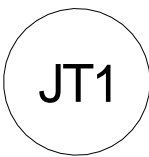
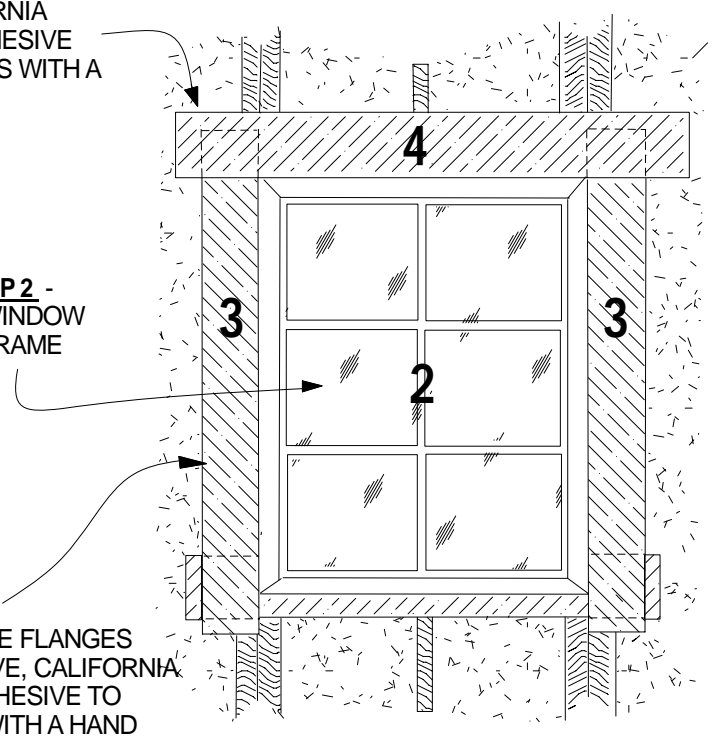
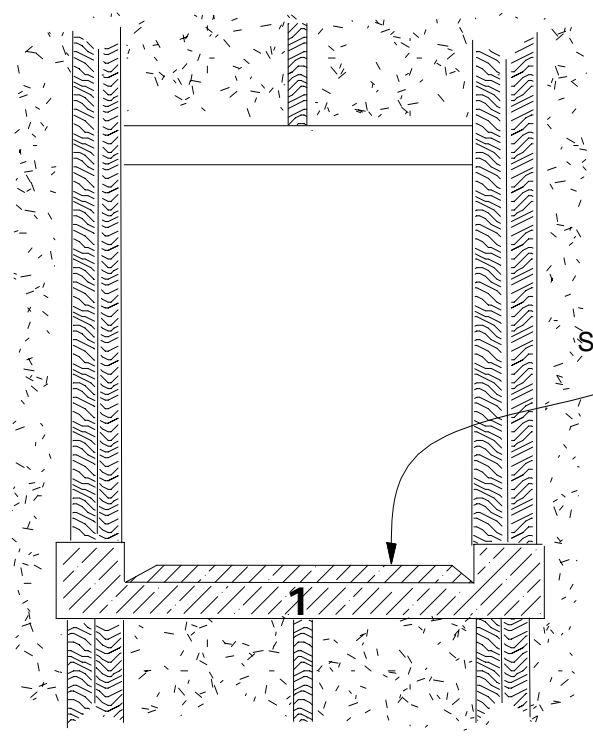


**STEP 4** -ADHERE HORIZONTAL STRIP OF JT-20 TO HEAD FLANGE PREPARED WITH POLYGUARD 650 LT LIQUID ADHESIVE, CALIFORNIA SEALANT OR SHUR-TAC LIQUID ADHESIVE TO SHEATHING. ROLL ALL SURFACES WITH A HAND ROLLER

**STEP 1** - INSTALL HORIZONTAL STRIP OF JT-20 ON SILL WITH 650 LT LIQUID ADHESIVE, CALIFORNIA SEALANT OR SHUR-TAC LIQUID ADHESIVE.

**STEP 2** - SET WINDOW IN FRAME

**STEP 3** -ADHERE HORIZONTAL STRIP OF JT-20 TO SIDE FLANGES PREPARED WITH 650 LT LIQUID ADHESIVE, CALIFORNIA SEALANT OR SHUR-TAC LIQUID ADHESIVE TO SHEATHING. ROLL ALL SURFACES WITH A HAND ROLLER



## SECTION @ JOINT TAPE WINDOW APPLICATION

© POLYGUARD PRODUCTS, INC. 2008  
(NOT TO SCALE)

Polyguard Products, Inc.  
P.O. Box 755 - Ennis, TX 75119  
Phone: 214-515-5000 Fax: 972-875-9425  
Web Site - [www.polyguardproducts.com](http://www.polyguardproducts.com)  
x:\u\s\n\d\undersell\07\jointape\JT1



The information provided is based on data and knowledge considered to be true and accurate and is offered for the users' consideration, investigation and verification, but we do not warrant the results to be obtained. Please read all data sheets, statements, recommendations or suggestions in conjunction with our conditions of sale, which apply to all goods supplied by us.