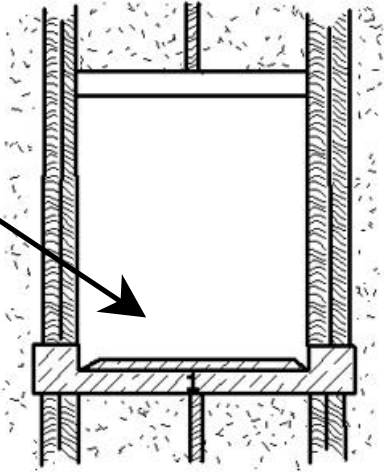


# Polyguard

## WINDOWSEAL™ APPLICATION

**Step 1** - Install horizontal strip on sill



**Step 2** - Set window frame

**Step 3** - Adhere vertical strips to jamb flanges and sheathing

**Step 4** - Adhere horizontal strip to head flange and sheathing. Roll all tape surfaces with a hand held roller.

