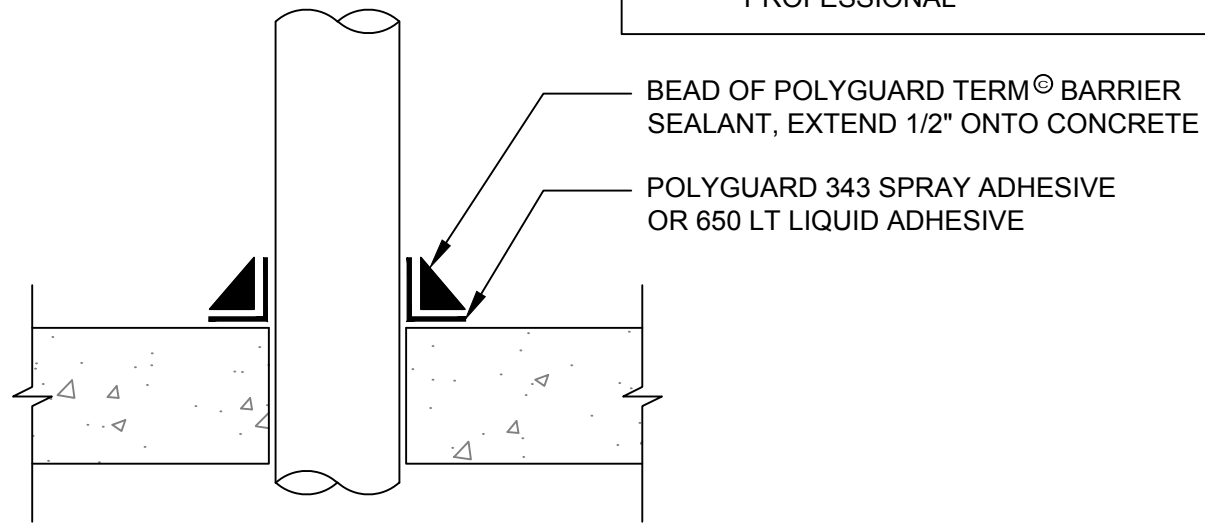


NOTE: TERM BARRIER SEALANT APPLIED TO ABOVE SLAB PENETRATIONS IS RECOMMENDED TO BE APPLIED BY A LICENSED PEST MANAGEMENT PROFESSIONAL



TPC1

SECTION @ TERM® ABOVE SLAB PENETRATION BARRIER

©POLYGUARD PRODUCTS, INC.

Polyguard®
 Innovation based. Employee owned. Expect more.
 P.O. Box 755 - Ennis, TX 75120
 Phone: 214-515-5000 Fax: 972-875-9425
 Web Site - www.polyguardbarriers.com



The information provided is based on data and knowledge considered to be true and accurate and is offered for the users' consideration, investigation, and verification; but we do not warrant the results to be achieved. Please read all data sheets, statements, suggestions, or recommendations in conjunction with our conditions of sale, which apply to all goods supplied by us.

DRAWING SCALE:	NOT TO SCALE
EFFECTIVE DATE:	03/15/2019
SUPERCEDES:	03/01/2018