

IMAGE 1

GENERAL NOTE: TEXT IN IMAGES 3 & 4 TEACH UNDERSLAB FABRIC BARRIER APPLICATION PRINCIPLES OF DIMENSIONING AND SURFACE PREPARATION. APPLY SAID PRINCIPLES TO FIELD VARIANCES.

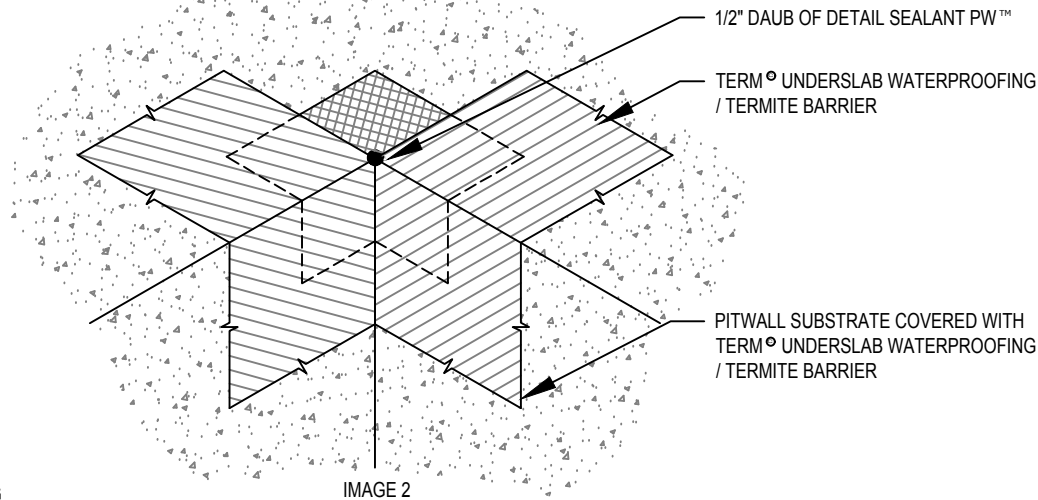


IMAGE 2

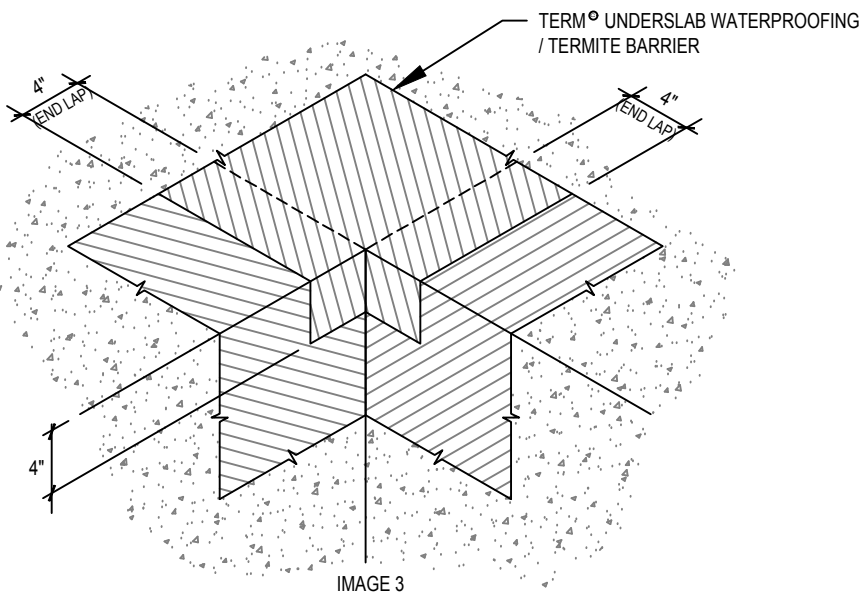


IMAGE 3

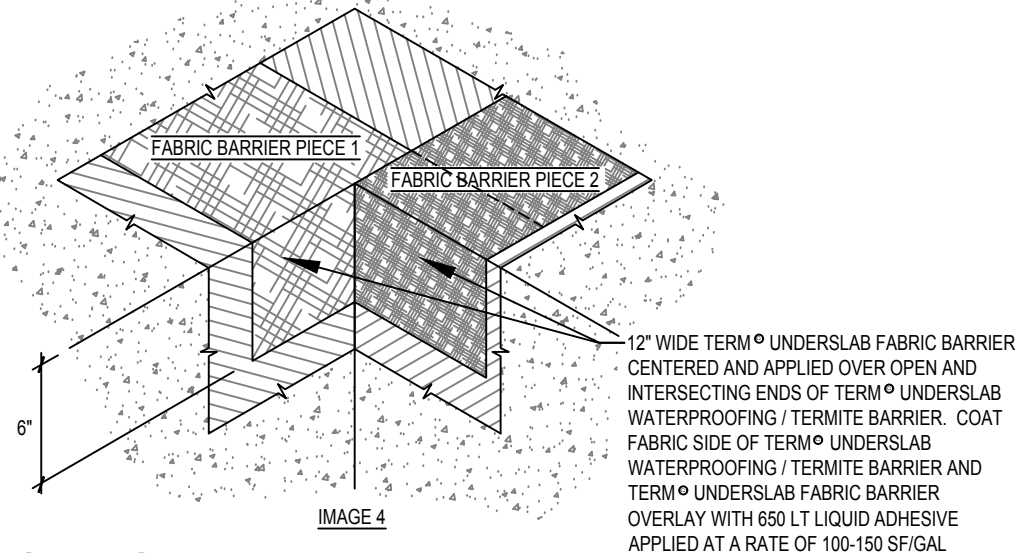


IMAGE 4

TERM® UNDERSLAB WATERPROOFING / TERMITE BARRIER PREFORMED CORNER AT A PIT TOP

TU21

© POLYGUARD PRODUCTS, INC.

Polyguard
 Innovation based. Employee owned. Expect more.
 P.O. Box 755 - Ennis, TX 75120
 Phone: 214-515-5000 Fax: 972-875-9425
 Web Site - www.polyguardbarriers.com



The information provided is based on data and knowledge considered to be true and accurate and is offered for the users' consideration, investigation, and verification; but we do not warrant the results to be achieved. Please read all data sheets, statements, suggestions, or recommendations in conjunction with our conditions of sale, which apply to all goods supplied by us.

DRAWING SCALE:	NOT TO SCALE
EFFECTIVE DATE:	03/01/2018
SUPERCEDES:	06/21/2017