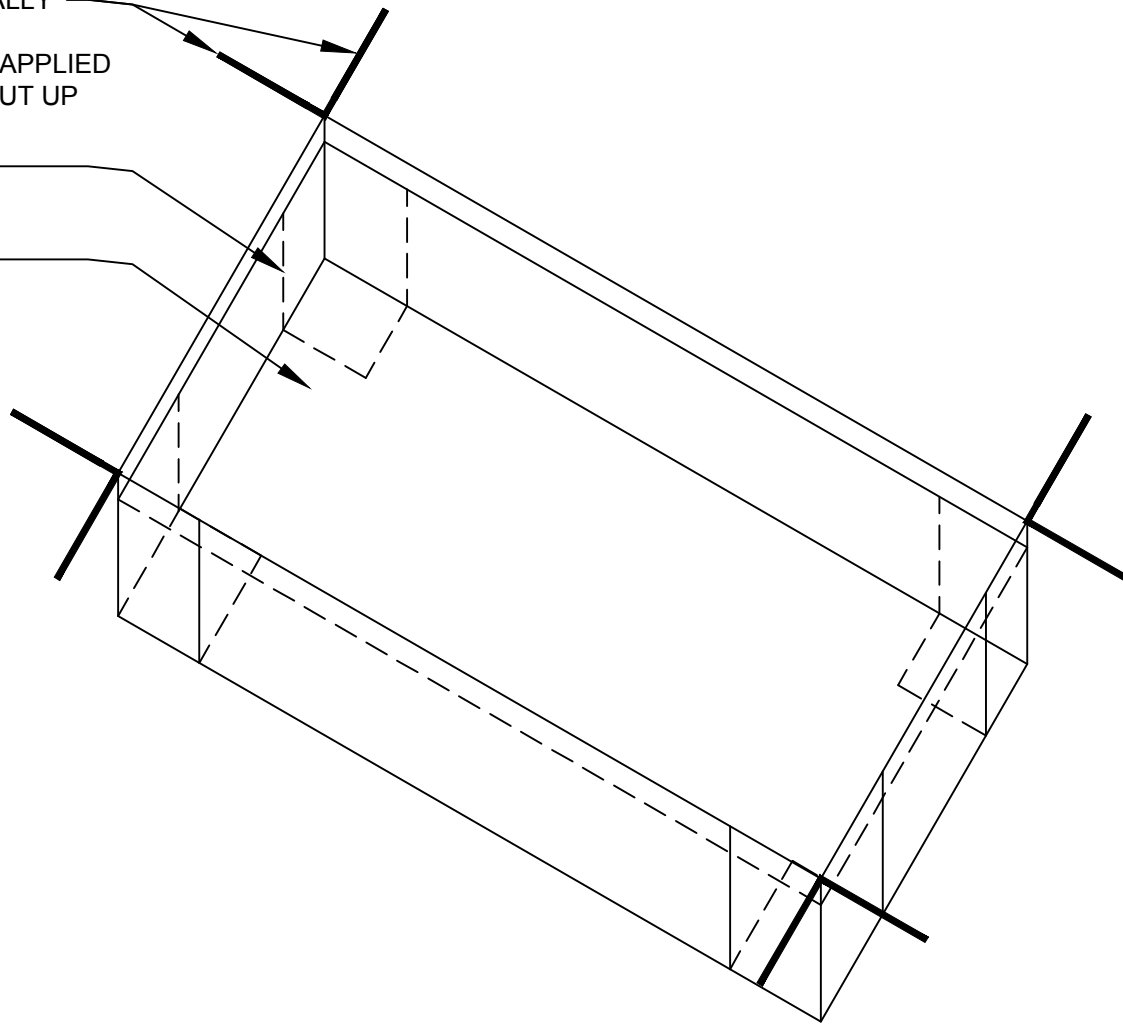


SAW CUTS MUST BE TOTALLY
 FILLED AND SEALED WITH
 COMPATIBLE SEAL FOAM APPLIED
 FROM BOTTOM OF SAW CUT UP

INSIDE CORNERS -
 REFERENCE DETAIL TU20

TERM UNDERSLAB
 WATERPROOFING /
 TERMITE BARRIER



TU9

SECTION @ TERM[®] UNDERSLAB WATERPROOFING / TERMITE BARRIER IN TRENCH

©POLYGUARD PRODUCTS, INC.

Polyguard[®]

Innovation based. Employee owned. Expect more.

P.O. Box 755 - Ennis, TX 75120

Phone: 214-515-5000 Fax: 972-875-9425

Web Site - www.polyguardbarriers.com



The information provided is based on data and knowledge considered to be true and accurate and is offered for the users' consideration, investigation, and verification; but we do not warrant the results to be achieved. Please read all data sheets, statements, suggestions, or recommendations in conjunction with our conditions of sale, which apply to all goods supplied by us.

DRAWING SCALE:
 NOT TO SCALE

EFFECTIVE DATE:
 03/01/2018

SUPERCEDES:
 05/18/2017